

CS 2141

CS 2145

CS 2150

CS 2141 EPA

CS 2145 EPA

CS 2150 EPA

Spare parts

Ersatzteile

Pièces détachées

Reserve onderdelen

Repuestos

Reservdelar

Replaces

Ersetzt

Remplace

Vervangt

Reemplaza

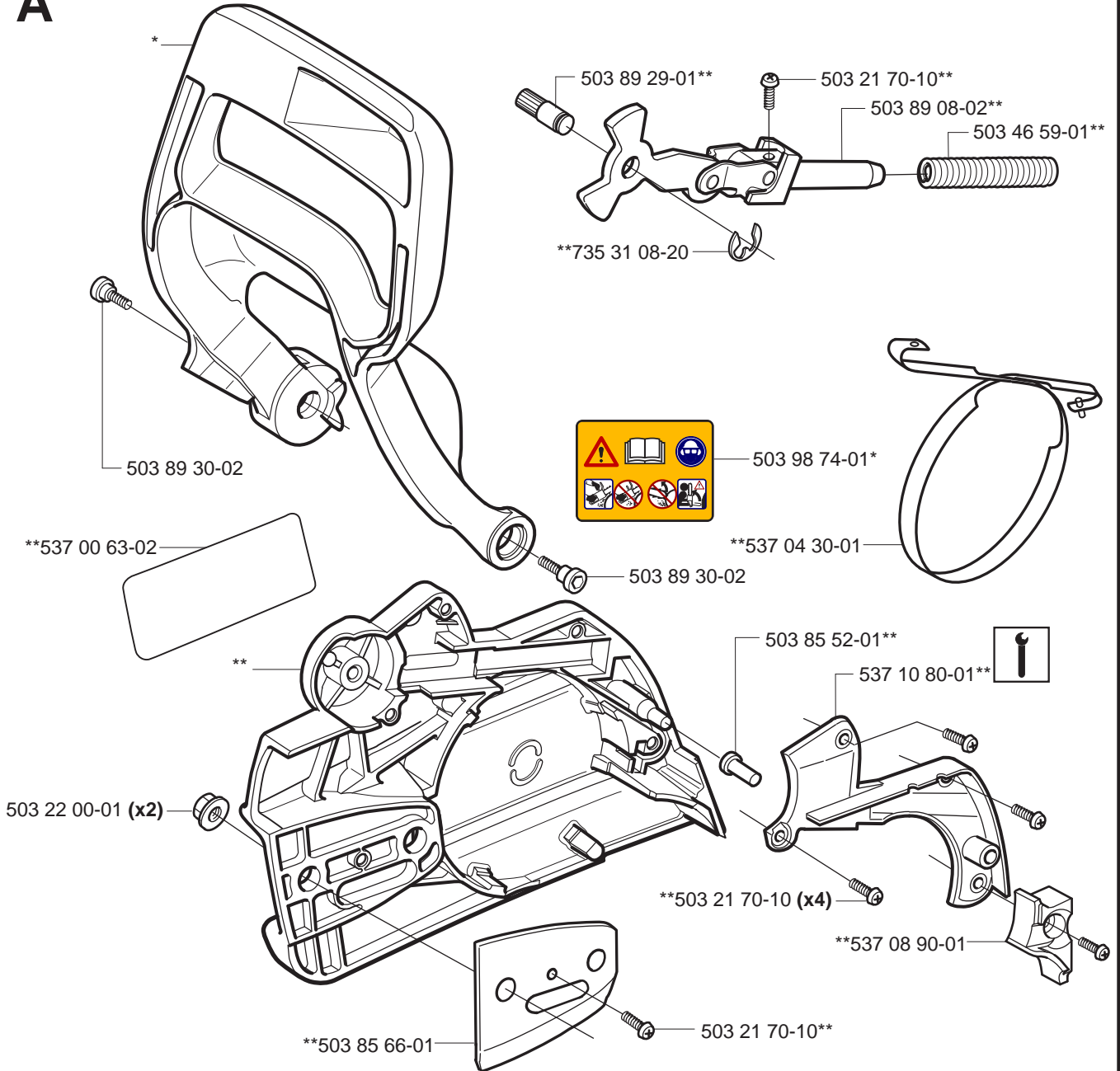
Ersätter

106 26 37-63

A

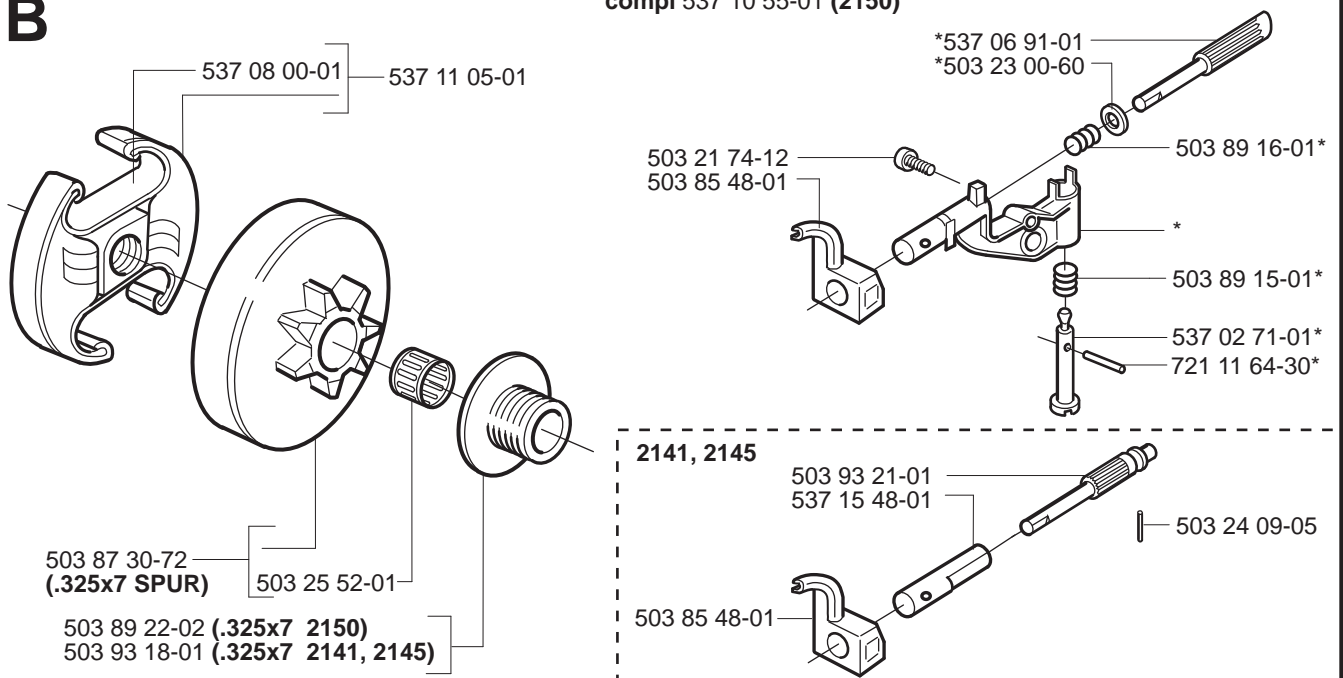
*compl 537 01 21-02

**compl 537 10 79-01



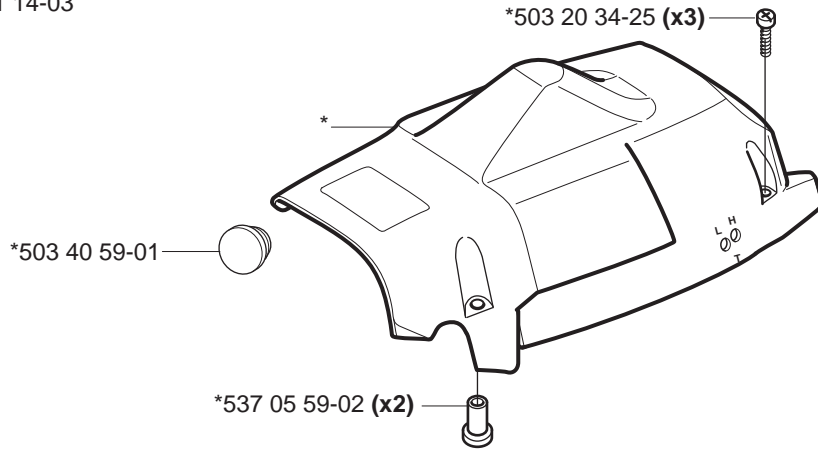
B

*compl 537 10 55-01 (2150)



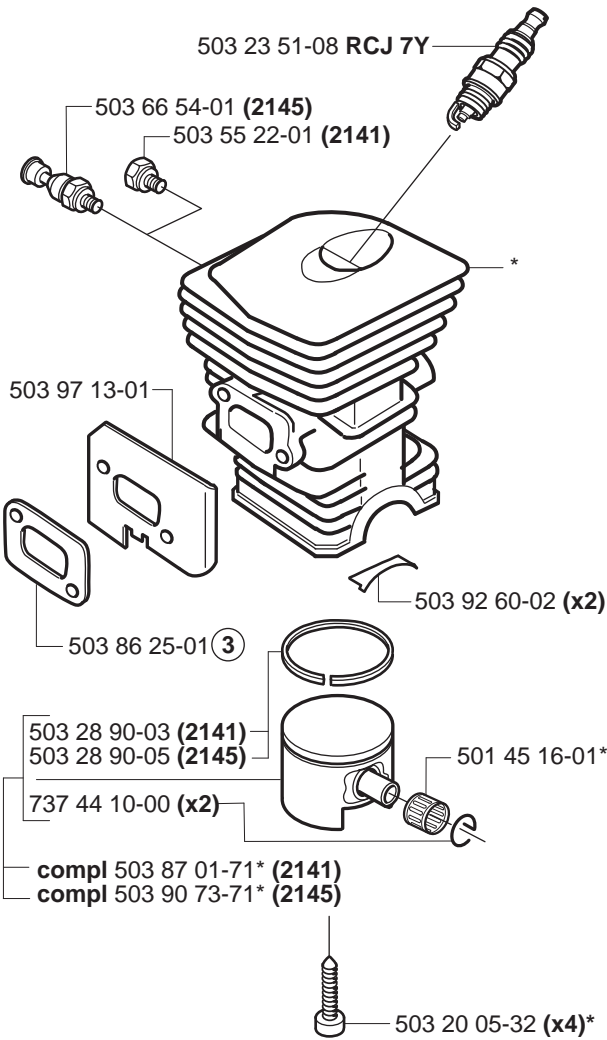
C

*compl 537 01 14-03



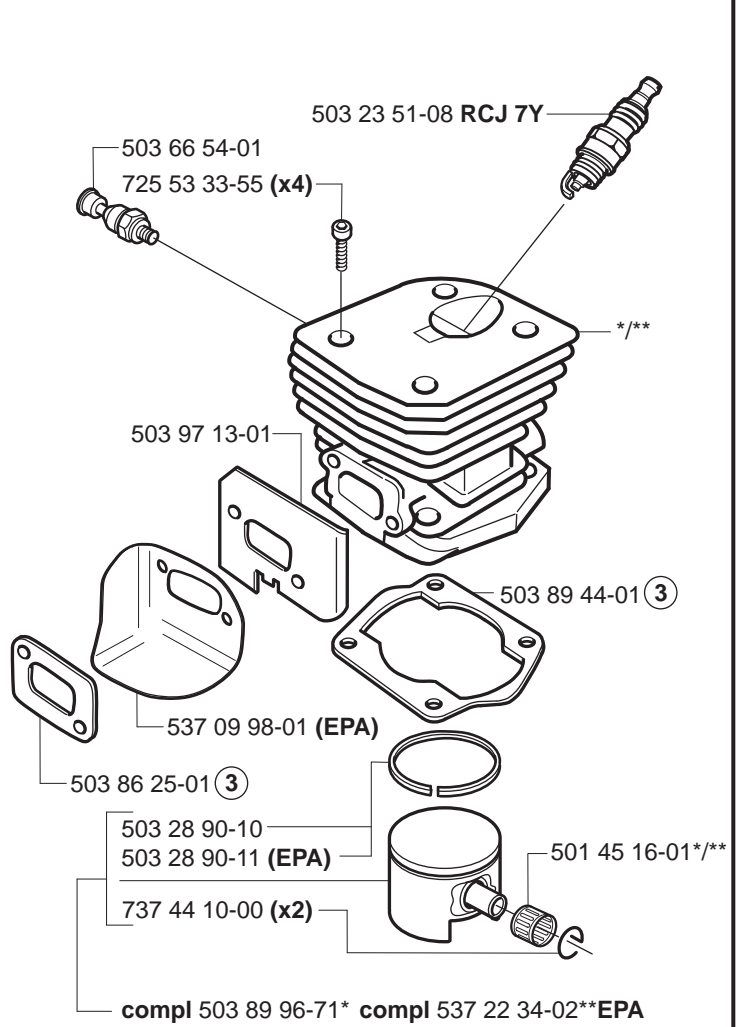
D

*compl 503 87 00-76 (2141)
*compl 503 87 02-76 (2145)



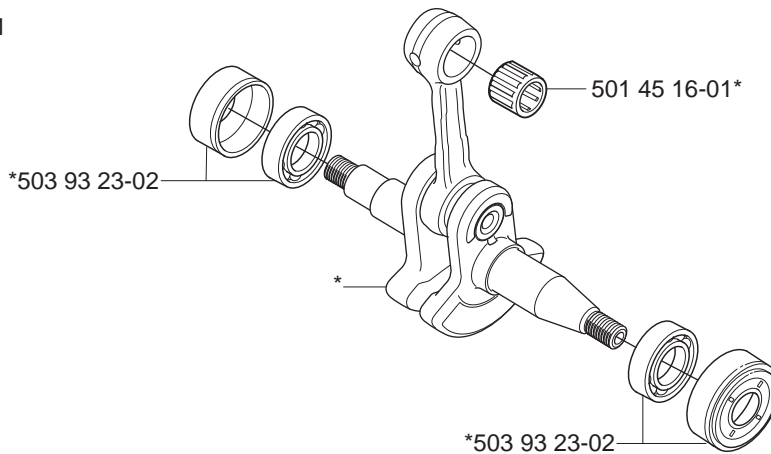
D

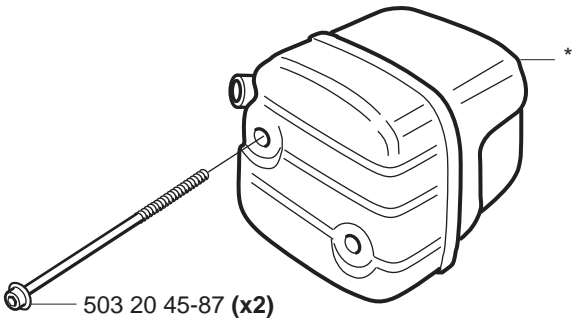
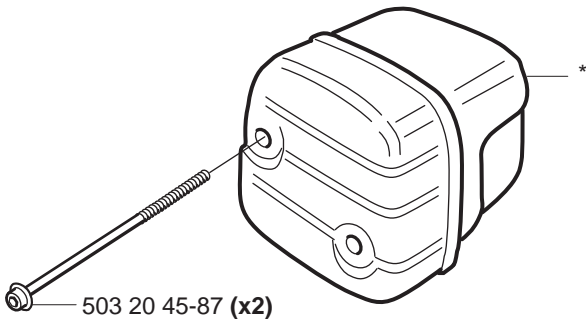
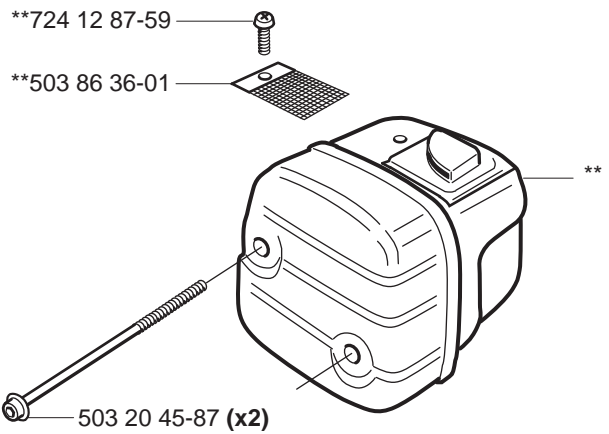
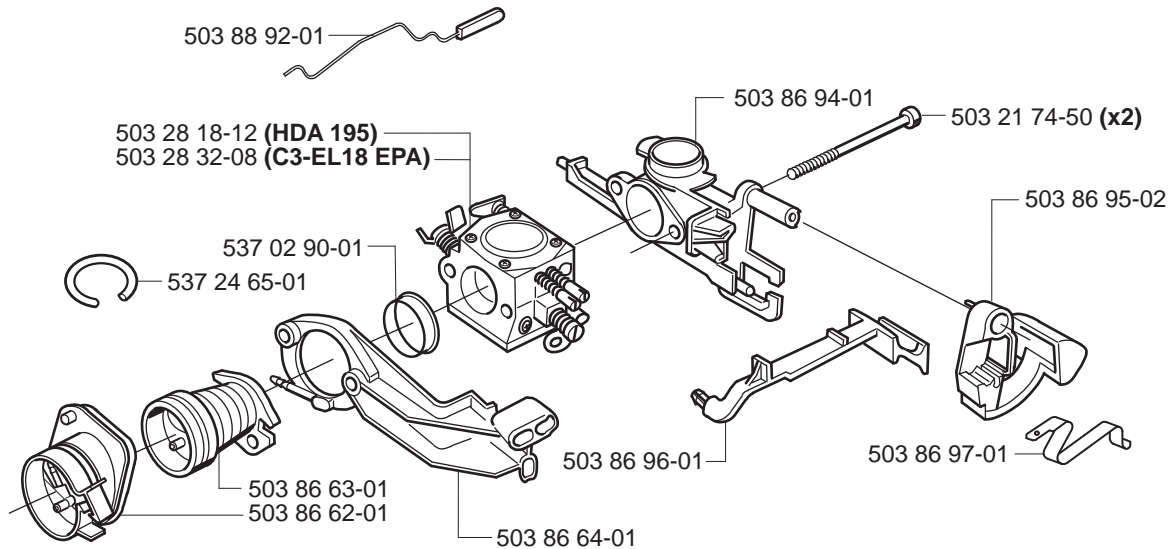
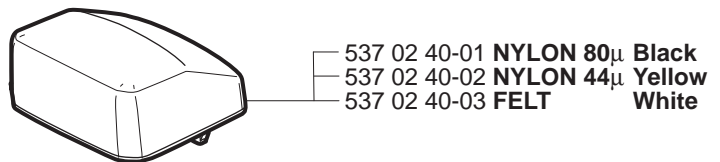
*compl 503 86 99-71 (2150)
*compl 537 25 30-02 (2150EPA)



E

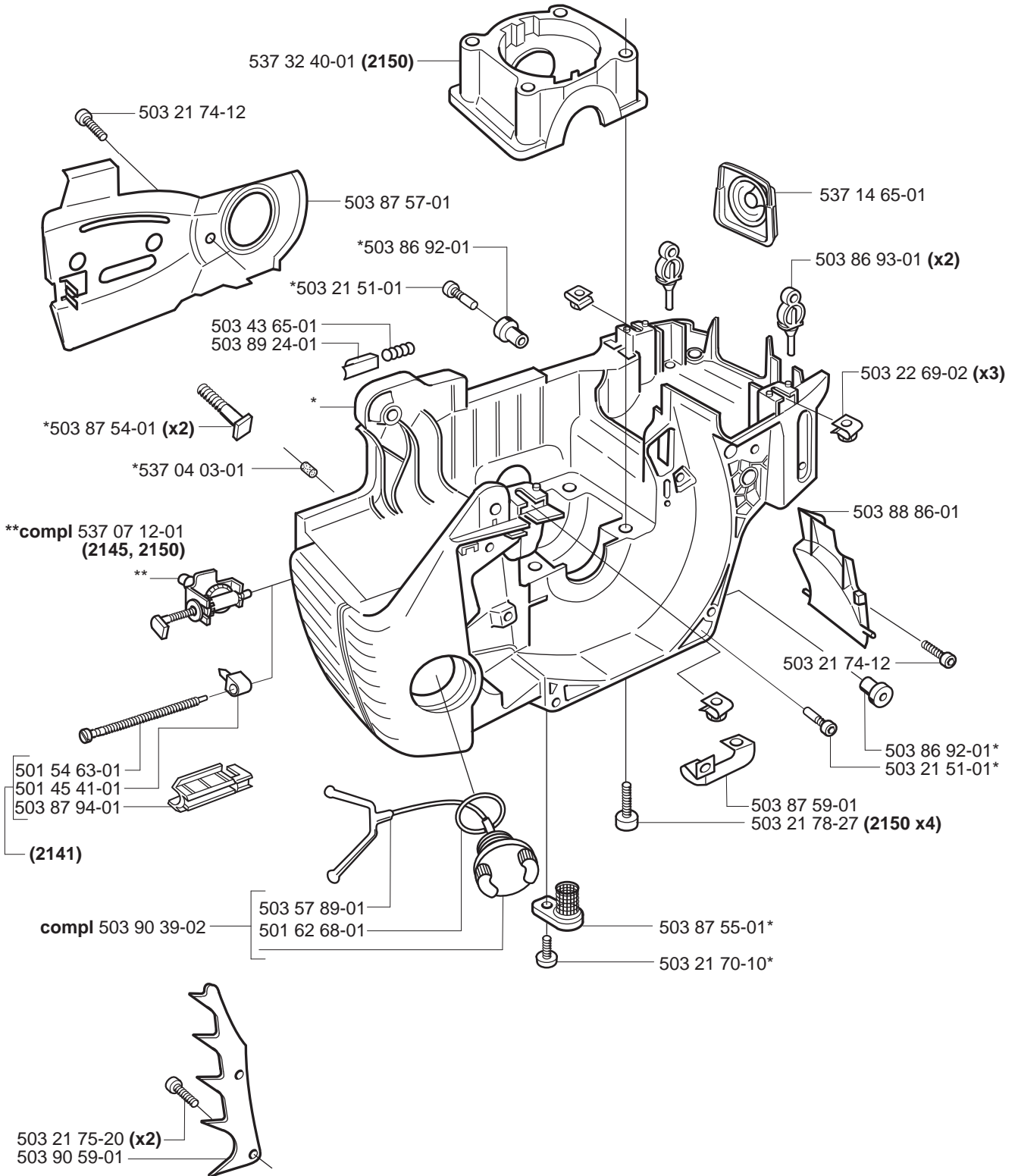
*compl 503 85 80-71



F***compl 503 86 27-03 (EU) 2150*****compl 503 87 96-02 (FG) 2141, 2145******compl 503 86 28-03 (DF) 2141, 2145****G**

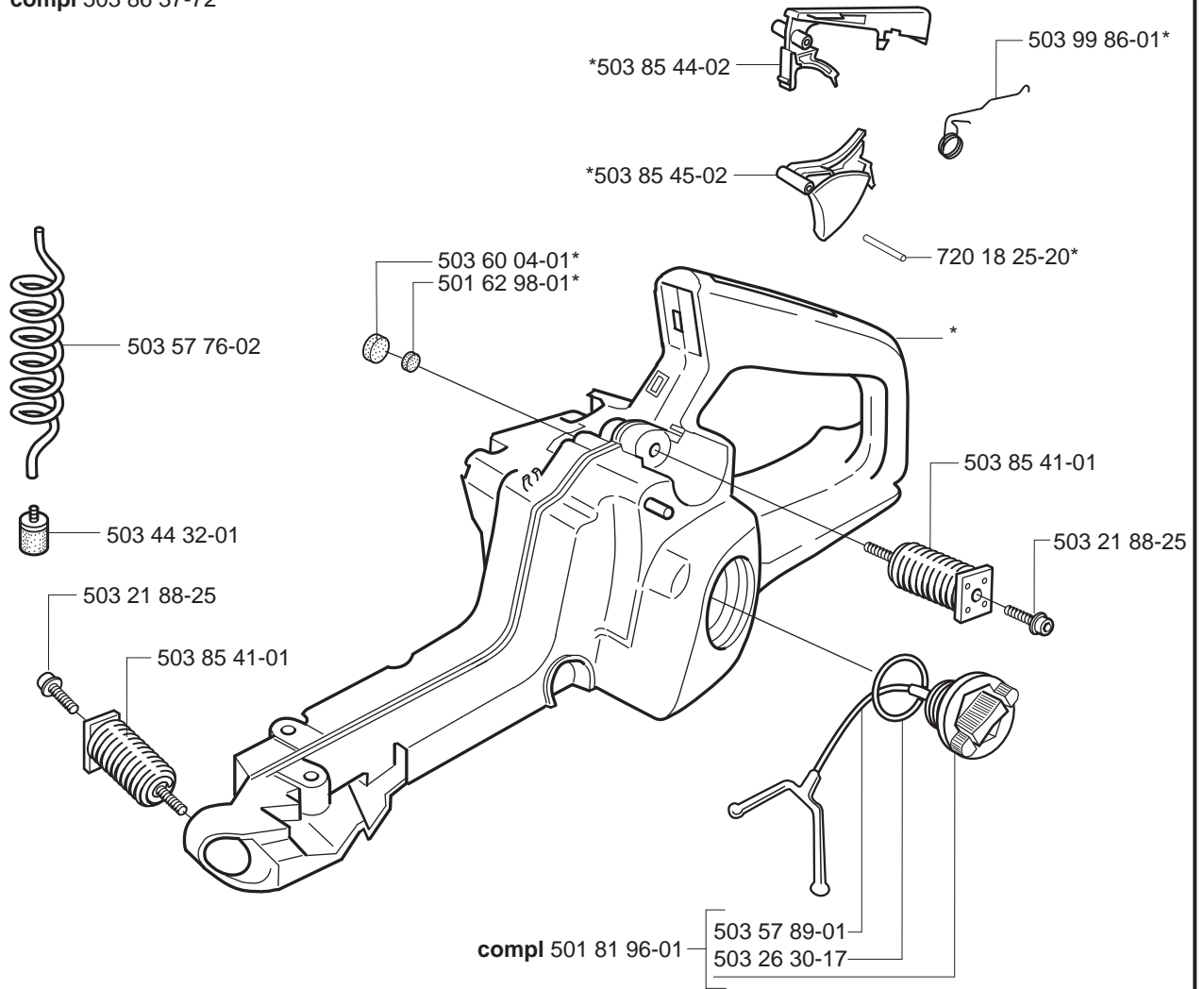
H

*compl 537 17 20-02

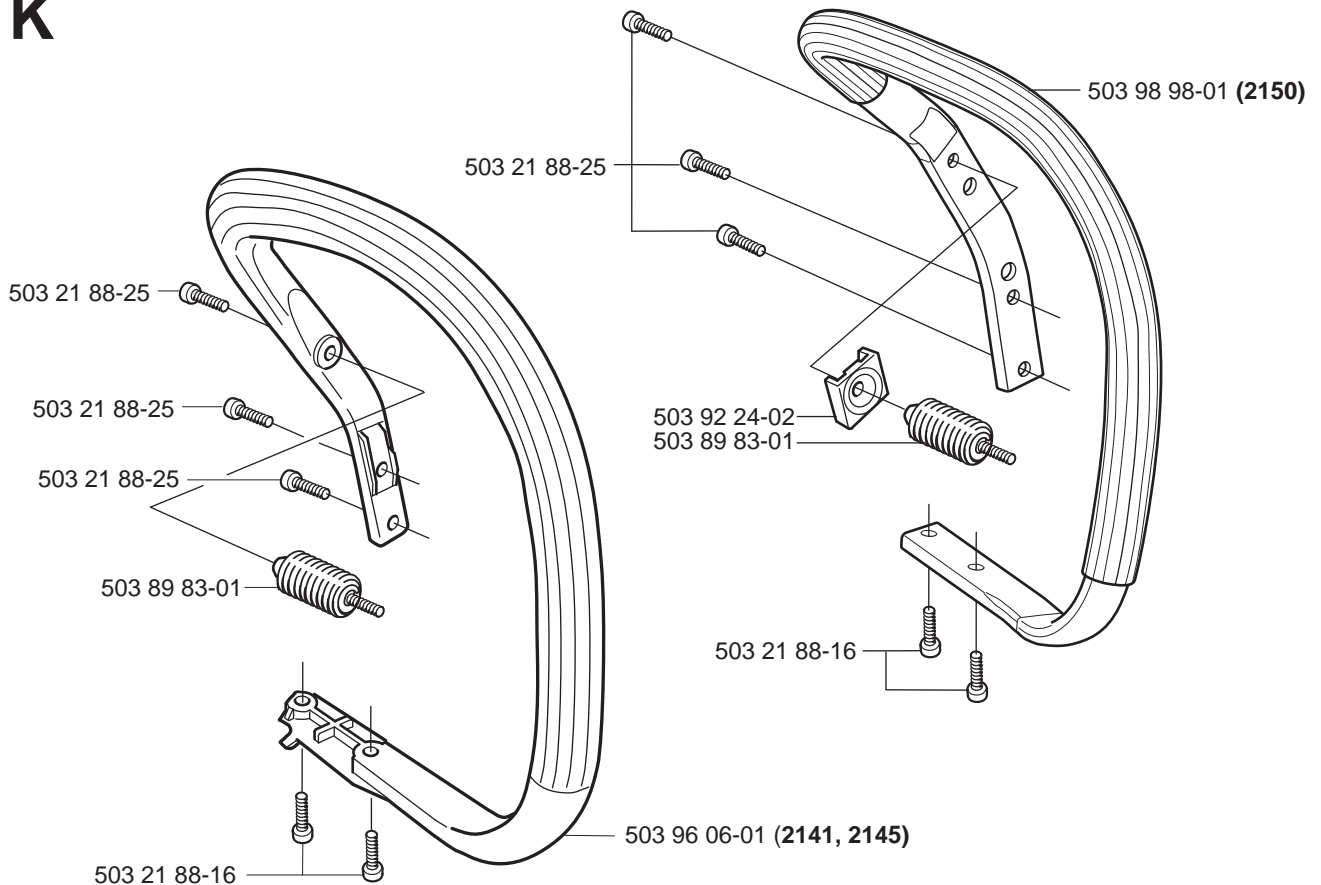


J

*compl 503 86 37-72



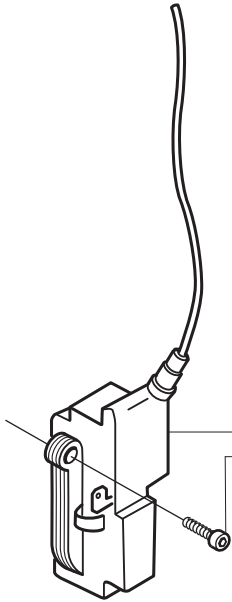
K



L

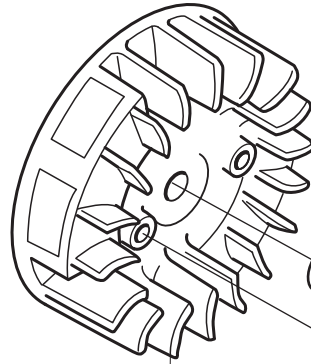
compl 501 48 54-02

503 89 87-01



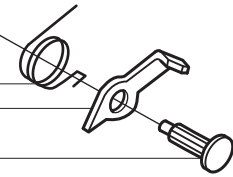
537 16 21-01
503 21 55-25 (x2)

compl 503 82 43-01



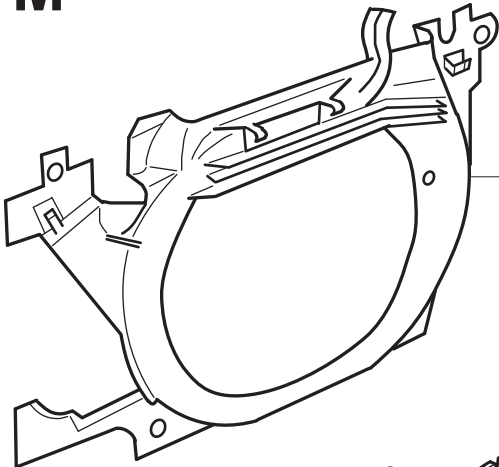
503 22 04-01

503 78 32-01 (X2)
503 89 50-01 (X2)
503 79 05-02 (X2)



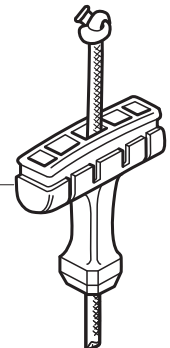
M

*compl 503 99 58-02



503 89 06-01

*537 19 65-01



*/**501 63 06-01



503 21 73-21 (x4)

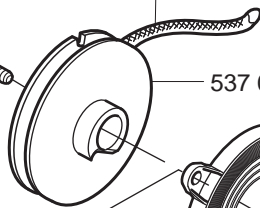
*503 21 77-16

505 30 51-25*

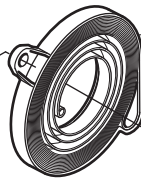
537 09 25-01*



*503 21 29-10 (x2)

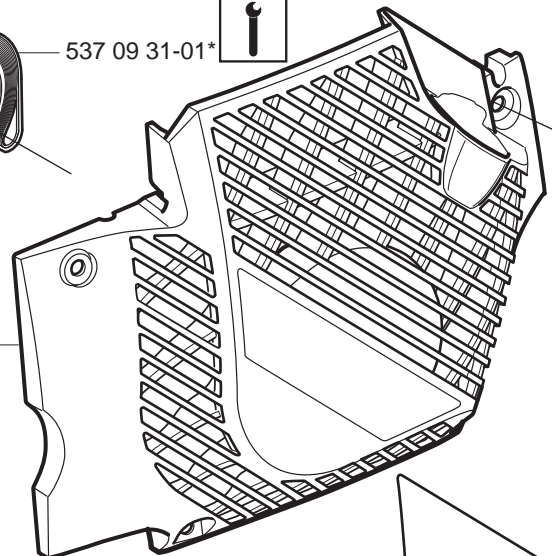


537 09 31-01*



*/**compl 503 96 04-02

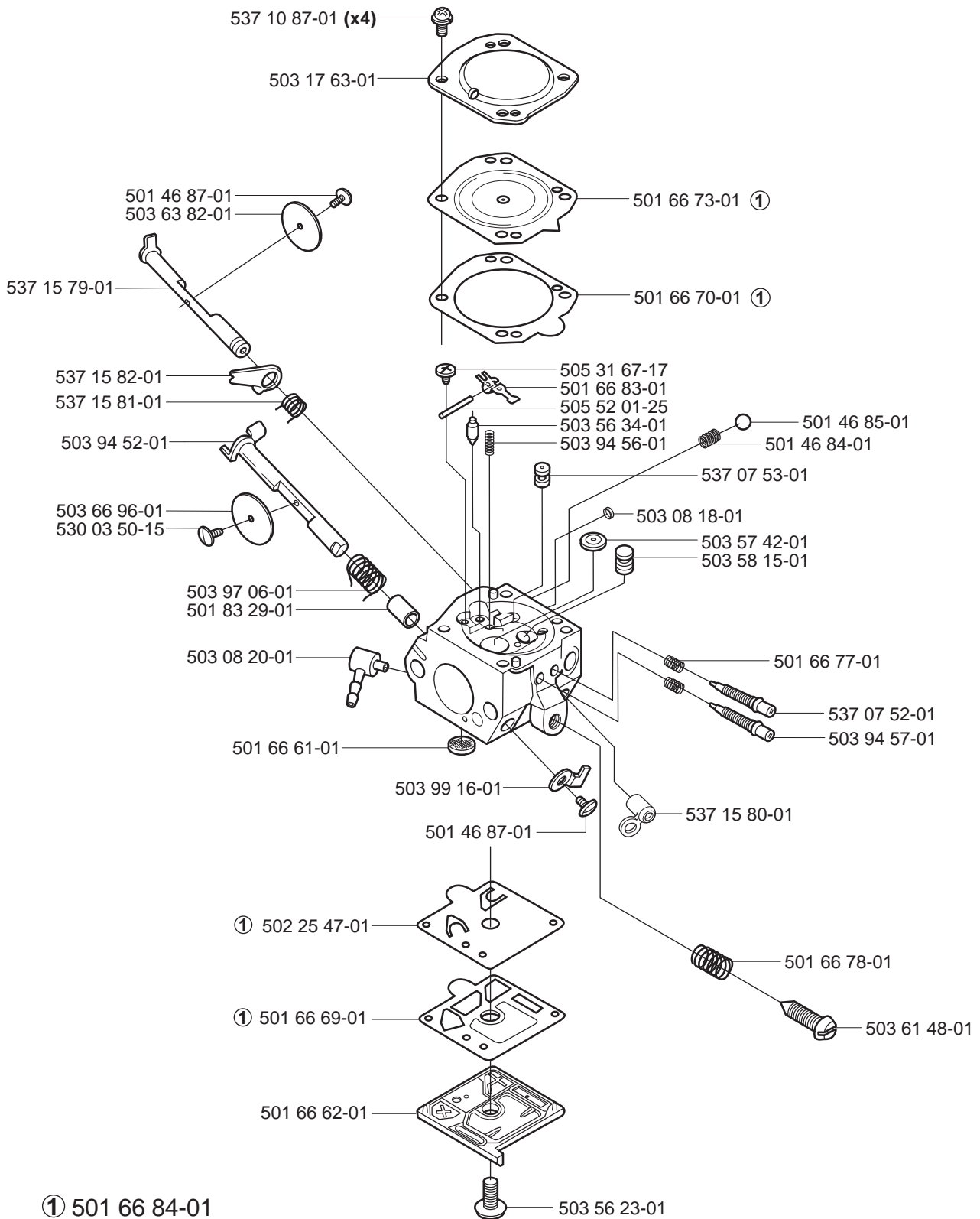
*/**



537 00 62-18 (2141)
537 00 62-19 (2145)
537 00 62-17 (2150)

N

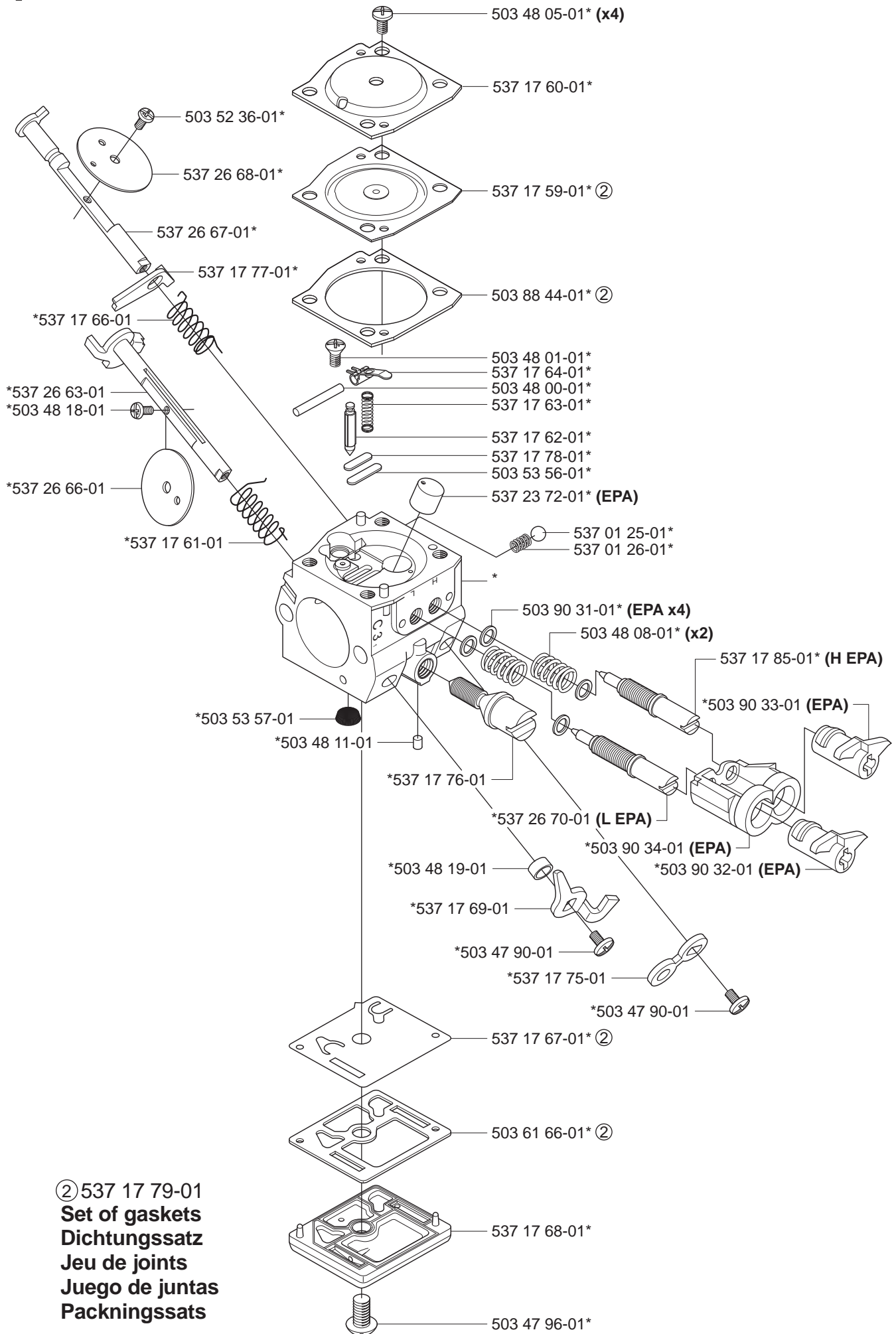
compl 503 28 18-12 Walbro HDA 195



① 501 66 84-01
Set of gaskets
Dichtungssatz
Jeu de joints
Juego de juntas
Packningssats

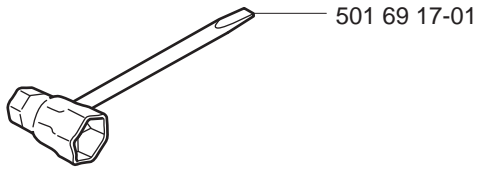
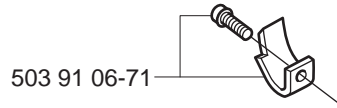
P

*compl 503 28 32-08 ZAMA C3-EL18 (EPA)

ZAMA C3-EL18

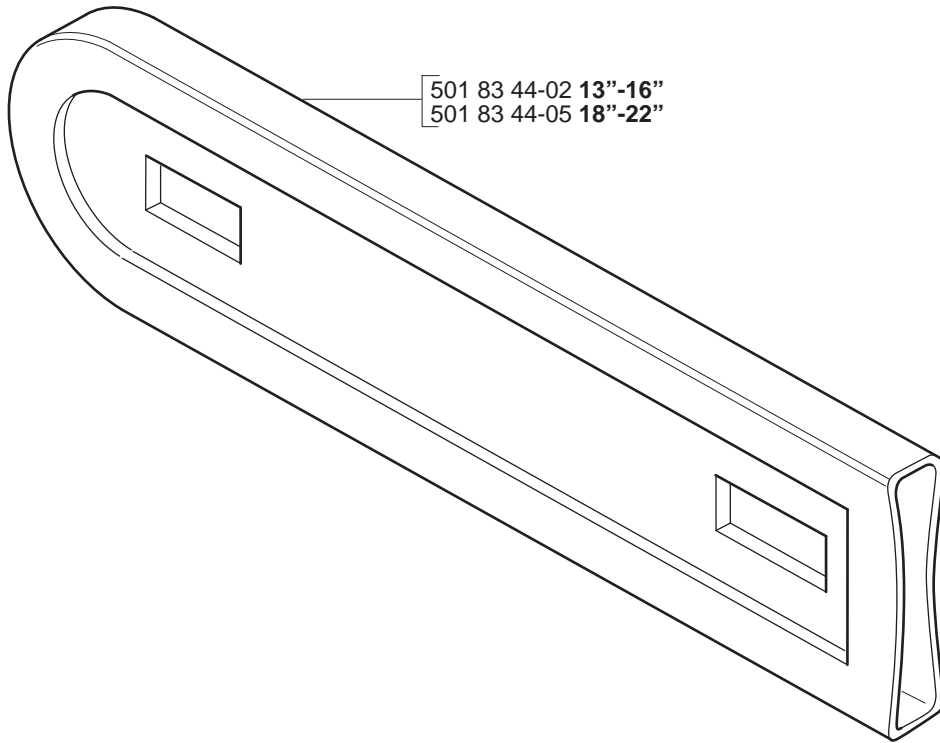
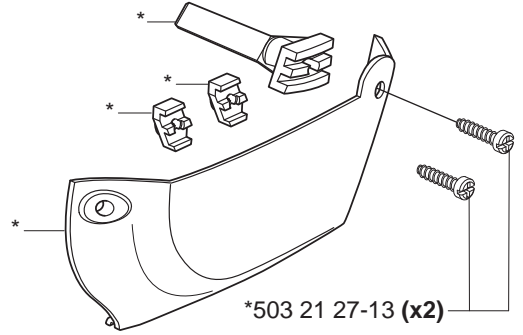
② 537 17 79-01
Set of gaskets
Dichtungssatz
Jeu de joints
Juego de juntas
Packningssats

Q Accessories
Zubehöre
Accessories
Accesorios
Tillbehör



Winter kit

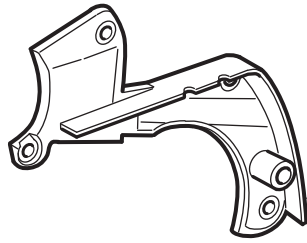
*compl 537 16 25-01



R



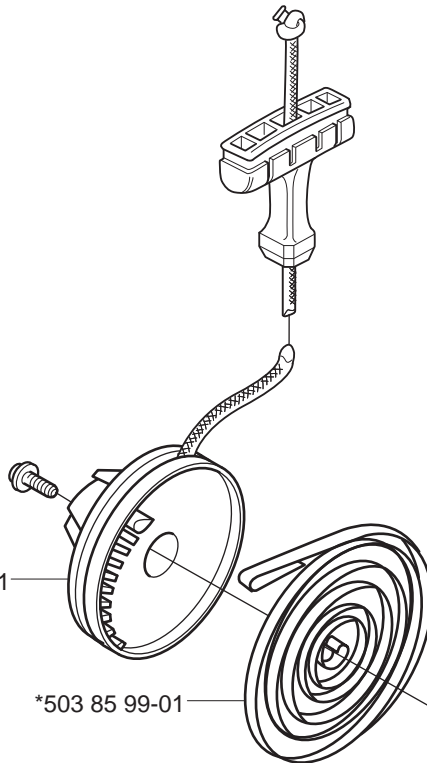
Up to 003100001



503 89 07-02



From 20012600001 (2141)
From 20012500001 (2145)
From 20012500501 (2150)

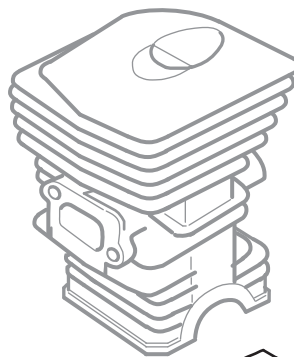


*503 87 63-01

*503 85 99-01



Up to 000601101 (2141)
Up to 000601101 (2145)



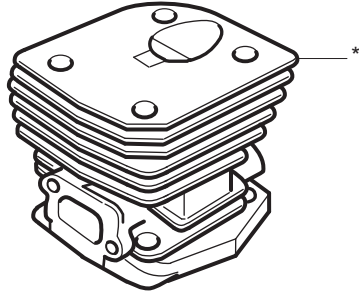
503 92 60-01 (x2)

R



Up to 030103001 Only EPA (2150)

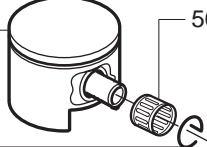
*compl 503 89 99-71 (2150)



503 28 90-10



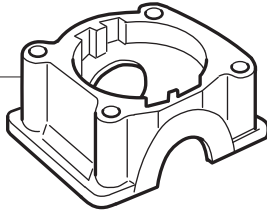
501 45 16-01*



737 44 10-00 (x2)

compl 503 89 96-71*

537 32 40-01 (2150)



PART NUMBER	SQUARE NOTE	PART NUMBER	SQUARE NOTE	PART NUMBER	SQUARE NOTE	PART NUMBER	SQUARE NOTE
501 45 16-01	D,E,R	503 48 19-01	P	503 89 96-71	D,R	537 17 60-01	P
501 45 41-01	H	503 52 36-01	P	503 90 31-01	P EPA	537 17 61-01	P
501 46 84-01	N	503 53 56-01	P	503 90 32-01	P EPA	537 17 62-01	P
501 46 85-01	N	503 53 57-01	P	503 90 33-01	P EPA	537 17 63-01	P
501 46 87-01	N	503 55 22-01	D	503 90 34-01	P EPA	537 17 64-01	P
501 48 54-02	L	503 56 23-01	N	503 90 39-02	H	537 17 66-01	P
501 54 63-01	H	503 56 34-01	N	503 90 59-01	H	537 17 67-01	P 2
501 62 68-01	H	503 57 42-01	N	503 90 73-71	D	537 17 68-01	P
501 62 98-01	J	503 57 76-02	J	503 91 06-71	Q	537 17 69-01	P
501 63 06-01	M	503 57 89-01	H,J	503 92 24-02	K	537 17 75-01	P
501 66 61-01	N	503 58 15-01	N	503 92 60-01	R	537 17 76-01	P
501 66 62-01	N	503 60 04-01	J	503 93 18-01	B	537 17 77-01	P
501 66 69-01	N 1	503 61 48-01	N	503 93 21-01	B	537 17 78-01	P
501 66 70-01	N 1	503 61 66-01	P 2	503 93 23-02	E	537 17 79-01	P 2=Compl
501 66 73-01	N 1	503 63 82-01	N	503 94 28-02	3=Compl	537 17 85-01	P EPA
501 66 77-01	N	503 66 54-01	D	503 94 52-01	N	537 19 65-01	M N
501 66 78-01	N	503 66 96-01	N	503 94 56-01	N	537 22 34-02	D EPA
501 66 83-01	N	503 78 32-01	L	503 94 57-01	N	537 23 72-01	P EPA,N
501 66 84-01	N 1=Compl	503 79 05-02	L	503 96 04-02	M	537 24 65-01	G
501 69 17-01	Q	503 82 43-01	L	503 96 06-01	K,N	537 25 30-02	D EPA
501 81 96-01	J	503 85 41-01	J	503 97 13-01	D	537 26 63-01	P
501 83 29-01	N	503 85 44-02	J	503 98 74-01	A	537 26 66-01	P
501 83 44-02	Q	503 85 45-02	J	503 98 98-01	K	537 26 67-01	P
501 83 44-05	Q	503 85 48-01	B	503 99 16-01	N	537 26 68-01	P
502 25 47-01	N 1	503 85 52-01	A	503 99 58-02	M	537 26 70-01	P EPA
503 08 18-01	N	503 85 66-01	A	503 99 86-01	J	720 18 25-20	J
503 08 20-01	N	503 85 80-71	E	505 30 51-25	M	721 11 64-30	B
503 17 63-01	N	503 85 99-01	R	505 31 67-17	N	724 12 87-59	F
503 20 05-32	D	503 86 25-01	D 3	505 52 01-25	N	725 53 33-55	D N
503 20 34-25	C	503 86 27-03	F N	530 03 50-15	N	735 31 08-20	A
503 20 45-87	F	503 86 28-03	F N	537 00 62-17	M	537 32 40-01	H,R N
503 21 27-13	Q	503 86 36-01	F	537 00 62-18	M	737 44 10-00	D,R
503 21 29-10	M	503 86 37-72	J	537 00 62-19	M		
503 21 51-01	H	503 86 62-01	G	537 00 63-02	A N		
503 21 55-25	L N	503 86 63-01	G	537 01 14-03	C		
503 21 70-10	A,H	503 86 64-01	G	537 01 21-02	A		
503 21 73-21	M	503 86 92-01	H	537 01 25-01	P		
503 21 74-12	B,H	503 86 93-01	H	537 01 26-01	P		
503 21 74-50	G	503 86 94-01	G	537 02 40-01	G		
503 21 75-20	H	503 86 95-02	G	537 02 40-02	G		
503 21 77-16	M	503 86 96-01	G	537 02 40-03	G		
503 21 78-27	H	503 86 97-01	G	537 02 71-01	B		
503 21 88-16	K	503 86 99-71	D,R	537 02 90-01	G		
503 21 88-25	J,K	503 87 00-76	D	537 04 03-01	H		
503 22 00-01	A	503 87 01-71	D	537 04 30-01	A		
503 22 04-01	L	503 87 02-76	D	537 05 59-02	C		
503 22 69-02	H	503 87 30-72	B	537 06 91-01	B		
503 23 00-60	B	503 87 54-01	H	537 07 12-01	H		
503 23 51-08	D	503 87 55-01	H	537 07 52-01	N		
503 24 09-05	B	503 87 57-01	H	537 07 53-01	N		
503 25 52-01	B	503 87 59-01	H	537 08 00-01	B		
503 26 30-17	J	503 87 63-01	R	537 08 90-01	A		
503 28 18-12	G,N	503 87 94-01	H	537 09 25-01	M		
503 28 32-08	G,P EPA	503 87 96-02	F N	537 09 31-01	M		
503 28 90-03	D	503 88 44-01	P 2	537 09 98-01	D N		
503 28 90-05	D	503 88 86-01	H	537 10 55-01	B		
503 28 90-10	D,R	503 88 92-01	G	537 10 79-01	A		
503 28 90-11	D EPA	503 89 06-01	M	537 10 80-01	A		
503 40 59-01	C	503 89 07-02	R	537 10 87-01	N		
503 43 65-01	H	503 89 08-02	A	537 11 05-01	B		
503 44 32-01	J	503 89 15-01	B	537 14 65-01	H		
503 46 59-01	A	503 89 16-01	B	537 15 48-01	B		
503 47 90-01	P	503 89 22-02	B	537 15 79-01	N		
503 47 96-01	P	503 89 24-01	H	537 15 80-01	N		
503 48 00-01	P	503 89 29-01	A	537 15 81-01	N		
503 48 01-01	P	503 89 30-02	A	537 15 82-01	N		
503 48 05-01	P	503 89 44-01	D 3	537 16 21-01	L		
503 48 08-01	P	503 89 50-01	L	537 16 25-01	Q		
503 48 11-01	P	503 89 83-01	K	537 17 20-02	H		
503 48 18-01	P	503 89 87-01	L	537 17 59-01	P 2		

1 = 501 66 84-01 Set of gaskets
2 = 537 17 79-01 Dichtungssatz
3 = 503 94 28-02 Jeu de joints
Juego de juntas
Packningssats

N = New part
Neues teil
Nouvelle piece
Nueva pieza
Ny detalj

EPA = Environmental Protection Agency
(for USA only)